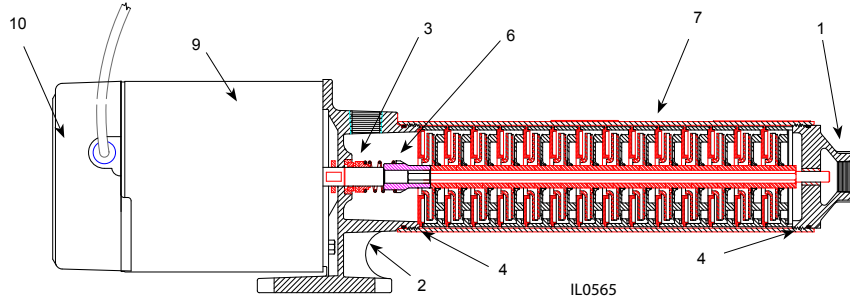


PRESSURE BOOSTER PUMP REPAIR PARTS

(For Pricing Refer To Repair Parts Price List)



	ITEM	DESCRIPTION	QTY	CAST IRON	POWDER COATED	STAINLESS STEEL	
5 - 7 - 10 - 19 GPM, 60 HZ & 50 HZ	1	Discharge Head 3/4" NPT	1	132000	136905	136640	See replacement motors. ITEMS 9 & 10
	2	Mounting Ring 3/4" NPT	1	132002	136904	136639	
27 - 35 GPM, 60 HZ & 50 HZ	1	Discharge Head 1" NPT	1	136635	137796	139166	
	2	Mounting Ring 1" NPT	1	136634	137794	139100	
55 - 85 GPM, 60 HZ & 50 HZ	1	Discharge Head 2" NPT	1	021585	-	-	
	2	Mounting Ring 2" NPT	1	021584	-	-	
ALL SERIES 60 HZ & 50 HZ	3	Seal, Rotary w/Spring	1	131100 †	131100 †	136682 ‡	
	4	O-Ring	2	131925 ■	131925 ■	136607 ▲	
	*	Hex Head Cap Screws 3/8" x 3/4"	4	121106	121106	121106	

(†) Buna N - Carbon/Silicon Carbide (‡) Viton - Carbon/Silicon Carbide (■) Buna N (▲) Viton (*) Not Shown

60 HZ MODELS	MATERIAL	CAST IRON	CI	PB0508AXXX	PB0512AXXX	PB0516AXXX	PB0712AXXX	PB1014AXXX	PB1016AXXX
		POWDER COATED	PC	PB0508CXXX	PB0512CXXX	PB0516CXXX	PB0712AXXX	PB1014CXXX	PB1016CXXX
		STAINLESS STEEL	SS	PB0508SXXX	PB0512SXXX	PB0516SXXX	PB0712SXXX	PB1014SXXX	PB1016SXXX
	ITEM	DESCRIPTION	MATERIAL	PART NUMBER					
5	Cartridge Assembly ‡		CI & PC	135163	132939	138447	134097	134998	135814
			SS		136683	138450	136684	136685	136686
6	Shaft & Coupling Assembly		CI & PC	135161	133336	138446	133336	134996	135813
			SS	138938	136636	138449	136636	136637	136638
7	Barrel/Shell		CI, PC & SS	135162	132003	138448	132003	134997	135815
60 HZ MODELS	MATERIAL	CAST IRON	CI	PB1914AXXX	PB2711AXXX	PB2714AXXX	PB3506AXXX	PB3508AXXX	
		POWDER COATED	PC	PB1914CXXX	PB2711CXXX	PB2714CXXX	PB3506CXXX	PB3508CXXX	
		STAINLESS STEEL	SS	PB1914SXXX	PB2711SXXX	PB2714SXXX	PB3506SXXX	PB3508SXXX	
	ITEM	DESCRIPTION	MATERIAL	PART NUMBER					
5	Cartridge Assembly ‡		CI & PC	137222	135627	136629	136626	136632	
			SS	139162	139163	138946	139164	139165	
6	Shaft & Coupling Assembly		CI & PC	137221	136624	136628	136625	136631	
			SS	139159	139157	137535	139156	139158	
7	Barrel/Shell		CI, PC & SS	137223	135628	136630	136627	136633	
60 HZ MODELS	MATERIAL	CAST IRON	CI	PB5504XX	PB5506XX	PB8504XX	PB8505XX		
		POWDER COATED	PC						
		STAINLESS STEEL	SS						
	ITEM	DESCRIPTION	MATERIAL	PART NUMBER					
5	Cartridge Assembly ‡		CI	022293	022294	022295	022296		
			SS	022289	022287	022288	022287		
6	Shaft & Coupling Assembly		CI	022289	022287	022288	022287		
7	Barrel/Shell		CI, PC & SS	022291	022292	138151	022290		

50 HZ MODELS	MATERIAL	CAST IRON	CI	PB0508XXXX	PB0514XXXX	PB0714XXXX	PB1020XXXX	PB1022XXXX	PB1023XXXX
		POWDER COATED	PC	PB0508ZXXX	PB0514ZXXX	PB0714ZXXX	PB1020ZXXX	PB1022ZXXX	PB1023ZXXX
		STAINLESS STEEL	SS	PB0508YXXX	PB0514YXXX	PB0714YXXX	PB1020YXXX	PB1022YXXX	PB1023YXXX
	ITEM	DESCRIPTION	MATERIAL	PART NUMBER					
5	Cartridge Assembly ‡		CI & PC	135163	138150	021032	135907		135911
			SS		138682	021033	138683	020280	138684
6	Shaft & Coupling Assembly		CI & PC	135161	138149	138149	135906	020278	135910
			SS	138938	138444	138444	138154	020278	137103
7	Barrel		CI, PC & SS	135162	138151	138151	135098	020094	135912
50 HZ MODELS	MATERIAL	CAST IRON	CI	PB1920XXXX	PB2717XXXX	PB3508XXXX	PB3514XXXXT		
		POWDER COATED	PC	PB1920ZXXX	PB2717ZXXX	PB3508ZXXX	PB3514ZXXXT	PB1922ZXXX	
		STAINLESS STEEL	SS	PB1920YXXX	PB2717YXXX	PB3508YXXX	PB3514YXXXT		
	ITEM	DESCRIPTION	MATERIAL	PART NUMBER					
5	Cartridge Assembly ‡		CI & PC	020982	020980	136632	021017	139435	
			SS	020095	138949	139165	021026	*	
6	Shaft & Coupling Assembly		CI & PC	020971	020916	136631	021015	139434	
			SS	020093	138948	139158	021020	021425	
7	Barrel		CI, PC & SS	020094	138947	136633	021016	139436	

(‡) Cartridge assembly includes: impellers, diffusers, o-rings and shaft & coupling assembly. Components not available individually. Sold as assembly only.