

POULTRY MARKET CATALOG

FW0134
1020
Supersedes
0120



- Evaporative Cooling Pumps:
1-1/2 or 2 in. discharge
- Centrifugal Booster Pumps
- Pressure Booster Pumps
- Engineered Poultry Pumping Systems
- One year limited warranty



Capacities to 145 GPM

Pressures to 200 PSI





- Rugged oil filled motor
- Thermal overload protects against overheating
- Powder-coated, cast iron design dissipates motor heat to ensure long life
- 2" discharge for 2" solids pumping capacity
- 2" Bottom suction inlet with vortex impeller
- 9 ft. waterproof power cord with grounded plug
- Silicon carbide / carbon seal (designed for continuous runs), for long life
- Temperature rating: 104°F (40°C)
- One year limited warranty

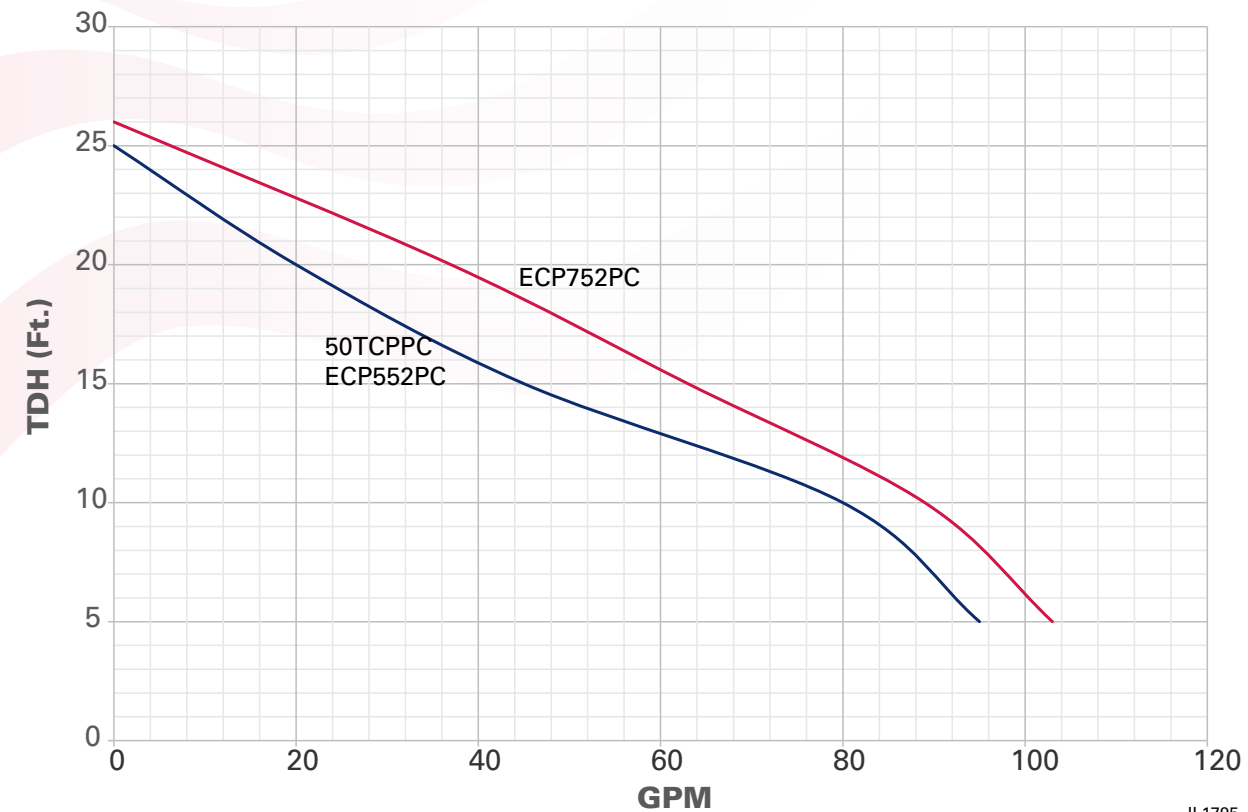
SP
US
Tested to UL Standard
UL778
and Certified to CSA
Standard CSA22.2
No. 108



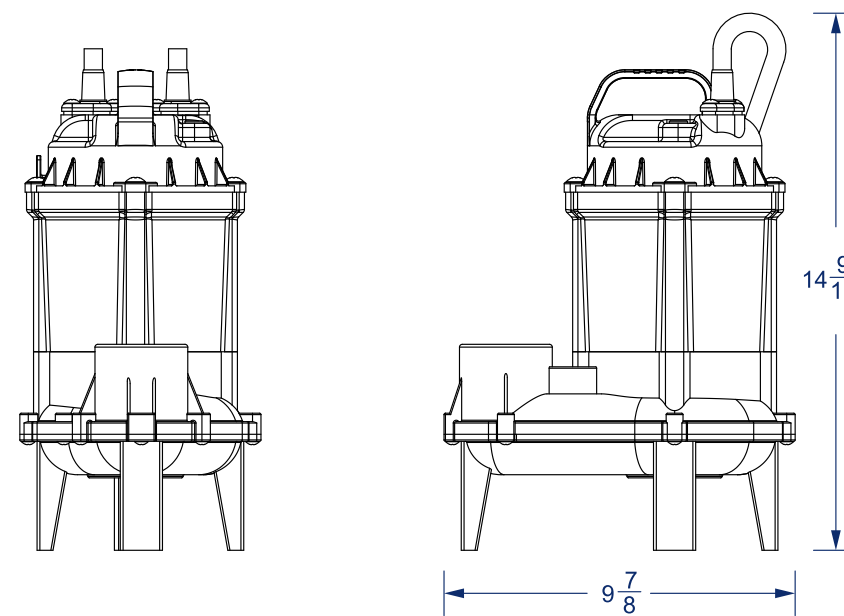
PERFORMANCE

Model	HP	Amps	Hz	Gallons Per Minute Lift Capacity			
				5 Ft.	10 Ft.	15 Ft.	20 Ft.
50TCPPC	1/2	9.5	60	95	80	45	20
ECP552PC	1/2	4.0	60	95	80	45	20
ECP752PC	3/4	4.0	60	103	89	63	37

PERFORMANCE



IL1795



IL1083

50TCPPC, ECP552PC, ECP752PC

Total Ht. (In.)	Total Width (in.)	Wt. (Lbs.)
15.875	9.5	21.0
15.875	9.5	21.0
15.875	9.5	21.0





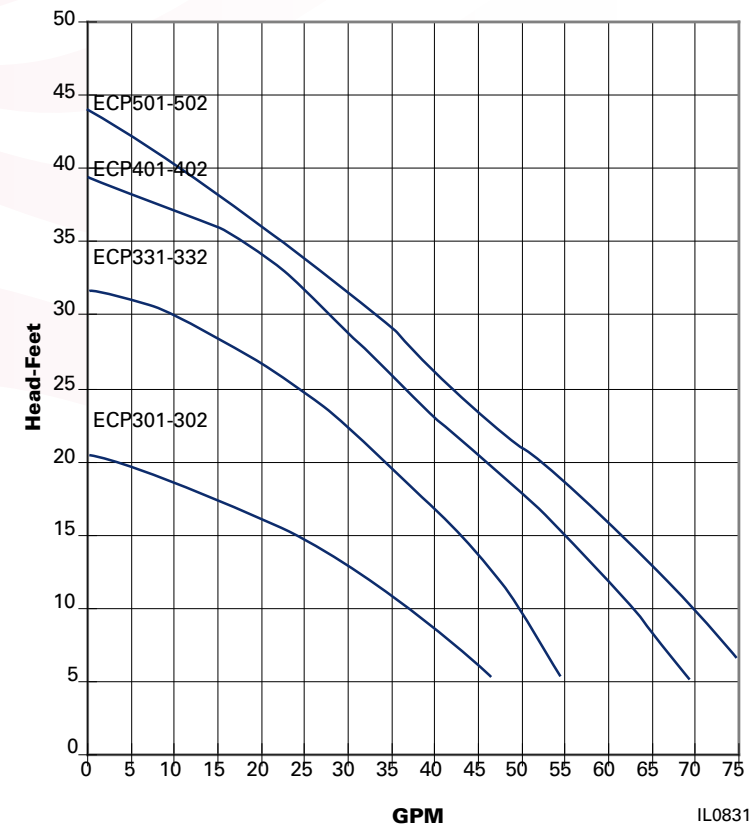
- Durable, powder-coated epoxy cast iron construction
- Stainless steel lifting handle and bolts
- Non-clogging thermoplastic vortex impeller design
- ECP3 series passes 1/2" spherical solids. ECP4 and ECP5 series pass 3/4" spherical solids.
- Oil-filled, hermetically sealed, automatic reset thermal overload protected motor
- Silicon carbide / carbon seal (designed for continuous runs), for long life
- Upper sleeve bearing and lower ball bearing running in bath of oil
- 20 ft. UL listed power cord with molded 3-wire plug
- 1-1/2" NPT vertical discharge
- Operates at temperatures to 130° F (54 C°)
- Glass-filled polypropylene base



US
Tested to UL Standard
UL778
and Certified to CSA
Standard CSA22.2
No. 108

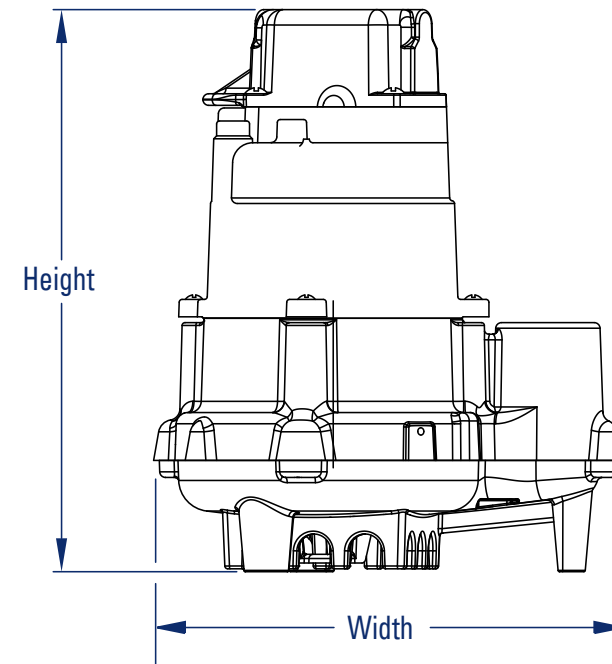


Evaporative Pumps



PERFORMANCE

Model No.	HP	Volt	Amps	Hz	Gallons Per Minute Lift Capacity			Shut Off Ft.
					5 Ft.	10 Ft.	15 Ft.	
ECP301	.30	115	9.7	60	47	37	25	20.5
ECP302		230	4.8					
ECP331	.33	115	6.0		55	50	43	32
ECP332		230	3.2					
ECP401	.40	115	8.5		69	64	55	39
ECP402		230	4.3					
ECP501	.50	115	10.5		77	70	61	44
ECP502		230	5.3					



ECP301, 302, 331, 332, 401, 402, 501, 502

Total Height	Total Width	Weight Lbs.	Discharge NPT
10.063"	10.094"	22.4	1-1/2"
11.688"		32.0	
12.125"		39.0	



BOOSTER PUMPS CJ103 SERIES

CAPACITIES TO 80 GPM, PRESSURES TO 45 PSI



CJ103

- Available in 1/3 HP thru 2 HP models.
- Rugged cast iron volute
- Brass impellers electronically balanced.
- Discharge can be rotated for either horizontal or vertical installations.
- Designed for easy service without disrupting suction or discharge piping.



CJ103 DOE Compliance

PUMP MODEL	Impeller Dia.	P.E.I.CL	PUMP MODEL	Impeller Dia.	P.E.I.CL	PUMP MODEL	Impeller Dia.	P.E.I.CL	PUMP MODEL	Impeller Dia.	P.E.I.CL
CJ103101	4.870"	0.98	CJ103153	5.090"	0.99	CJ103P103	5.000"	0.99	CJ103201T	5.090"	0.99
CJ103151	5.090"	0.99	CJ103203	5.090"	0.99	CJ103P153	5.090"	0.99	CJ103103T	4.870"	0.91
CJ103201	5.090"	0.98	CJ103P101	5.000"	0.98	CJ103101T	4.870"	0.99	CJ103153T	5.090"	0.93
CJ103103	4.870"	0.99	CJ103P151	5.090"	0.90	CJ103151T	5.090"	0.99	CJ103203T	5.090"	0.91

MULTI STAGE HIGHER PRESSURE CJ101 SERIES

CAPACITIES TO 60 GPM, PRESSURES TO 95 PSI



CJ101

- Brass Impellers dynamically balanced for high efficiencies and long life.
- More water at higher pressures -engineered for high head applications.
- Cast iron volute with brass insert bearing and closed top bearing for rugged durability and long life.
- Available in 2-stage or 3-stage models up to 3 HP.
- Maximum case pressure of 160 PSI.



PRESSURE BOOSTER "PB" SERIES PUMPS



Booster Pump with F&W NEMA J Motor



A MAJORITY of PB BOOSTERS



Applications: Pressure Cleaning, Spray or Mist Systems, Jockey Pumps, Booster Service, Reverse Osmosis, Water Circulation and General Purpose Pumping.

PRESSURES TO 200 PSI— 140°F
MAXIMUM LIQUID TEMPERATURE

- Flint & Walling's service plus 56-frame, NEMA J, dual voltage motors—single or three phase.
- Three-wire, 8 foot 115 volt grounded power cord and plug supplied on 1/3 HP single phase models. (Not supplied on any other model).
- Thermoplastic impellers and diffusers.

Cast Iron Model Pump Components—Cast Iron suction and discharge castings, S.S. pump shell, 416 S.S. hex pump shaft and carbon/ceramic seal with Buna N rubber parts.

Powder Coated Model Pump Components—Powder coated cast iron suction and discharge castings, S.S. pump shell, 416 S.S. hex pump shaft and carbon/ceramic seal with Buna N rubber parts.

Stainless Steel Model Pump Components—S.S. suction and discharge castings, S.S. pump shell, 303 S.S. hex pump shaft and carbon/ceramic seal with Viton rubber parts.



Deliver Flow and Pressure Where You Want It!



- Artesian Drive constant pressure pumping stations provide constant water pressures
- Pre-plumbed, pre-wired, pre-programmed and pressure tested. Typical installation time takes less than 1 hour
- Models available up to 145 gallons per minute in 3 HP, 5 HP, and 7.5 HP
- Variable frequency drive operates on 230 volt single or three phase power – With three phase output to motor
- Advanced 'on board' diagnostics and pump protection
- Energy efficient – uses significantly less electricity than conventional centrifugal pump applications
- 3" suction with 2" discharge for easy installation
- Includes check valve, gauges and unions for easy serviceability
- 'Powder Coated Tough' skid, panel, and supports to resist rust and corrosion. Efficient in size - Fits through any 27" access door

Flint & Walling is a family-owned American proud manufacturer of premium pumps, motors, and controls. Built on proven, comprehensive testing and generations of personal relationships with loyal customers and employees. With a legacy of high-quality products, trust flows through everything we do.

