

LAWN SPRINKLER PUMPS



For lawn and turf sprinkling, irrigation and water transfer

SPJ Self-Priming

- High capacity, high volume
- Cast iron pump body and mounting ring for long life
- Flint & Walling's Service Plus NEMA J, capacitor start, double ball bearing motors for continuous operation
- Easy access drain plug
- Rapid self-priming characteristics under maximum suction conditions



SPJ SERIES

Single or Three Phase

SPJ 3/4 - 3 HP

FW 
FLINT & WALLING

SPJ SELF-PRIMING 3/4 - 3 HP SINGLE OR THREE PHASE

PERFORMANCE CHART

Model Number		HP	Suction Lift Ft.	Discharge Pressure PSI								Shut-Off Pressure PSI	Suction Pipe Tap	Disch. Pipe Tap
1 Phase	3 Phase			10	15	20	25	30	35	40	45			
Capacity - U.S. Gallons per Minute														
SPJ07P1	SPJ07P3	3/4	5 15 25	56 47 43	48 42 37	42 37 31	37 29 22	29 22 10	21 12			41 37 33	2"	1-1/2"
SPJ10P1	SPJ10P3	1	5 15 25	58 53 48	53 48 44	48 45 38	43 37 33	38 31 25	32 24 14	23 12	11	48 43 39	2"	1-1/2"
SPJ15P1 SPJ15B1	SPJ15B3	1-1/2	5 15 25	78 70 47	77 68 46	74 66 44	70 62 42	62 53 42	53 43 34	43 30	30	47 41 36	2"	1-1/2"
SPJ20B1	SPJ20B3	2	5 15 25	86 76 52	84 74 51	81 72 50	77 69 47	71 64 45	62 55 42	52 43 30	40 25	50 45 40	2"	1-1/2"
SPJ30B1	SPJ30B3**	3	5 15 25	88 77 54	86 76 53	85 75 52	84 74 51	80 72 50	73 65 49	64 55 45	53 43 10	54 50 45	2"	1-1/2"

Motor voltage: Single Phase 3/4 - 2 HP - 115/230V; 3 HP - 230V, 60Hz
 Three Phase 3/4 - 2 HP - 208 - 230/460V, 50/60Hz; 3 HP - 208 - 230/460V; 60Hz
 Maximum Case Pressure: 100 PSI

**Less than 50% US content

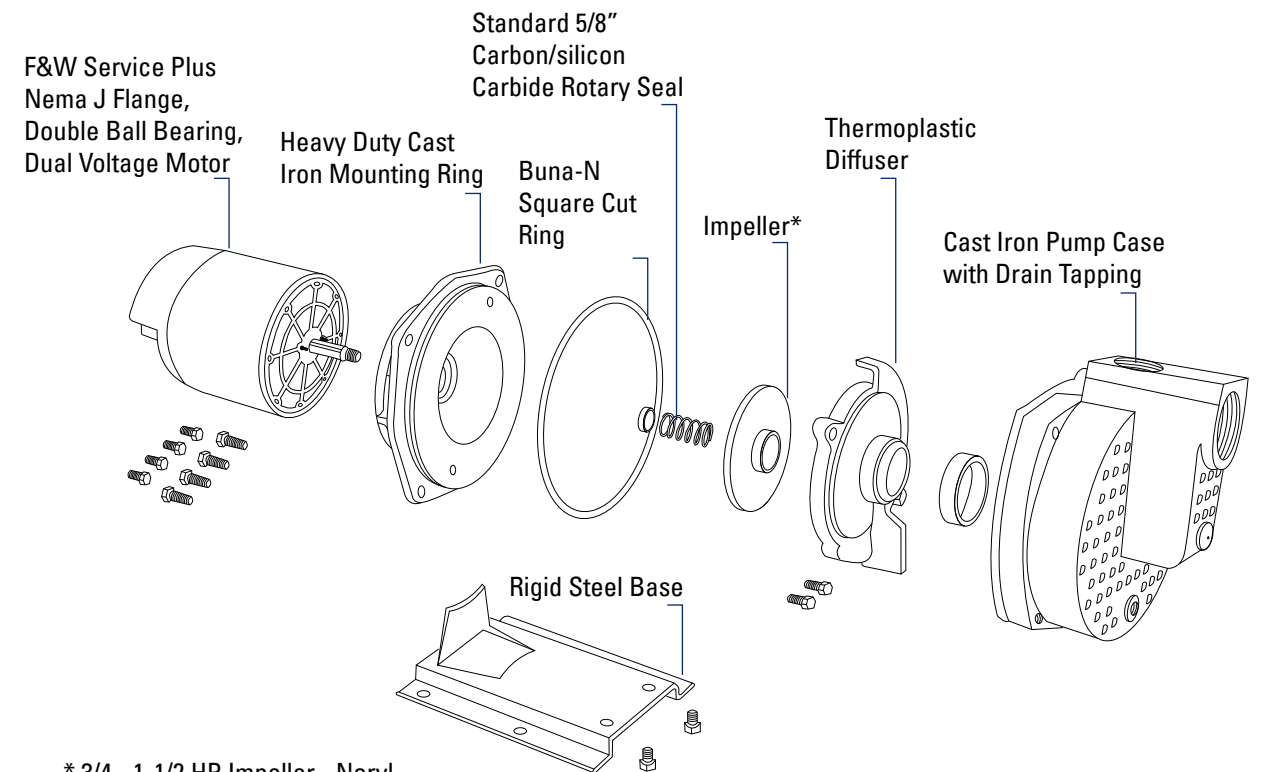
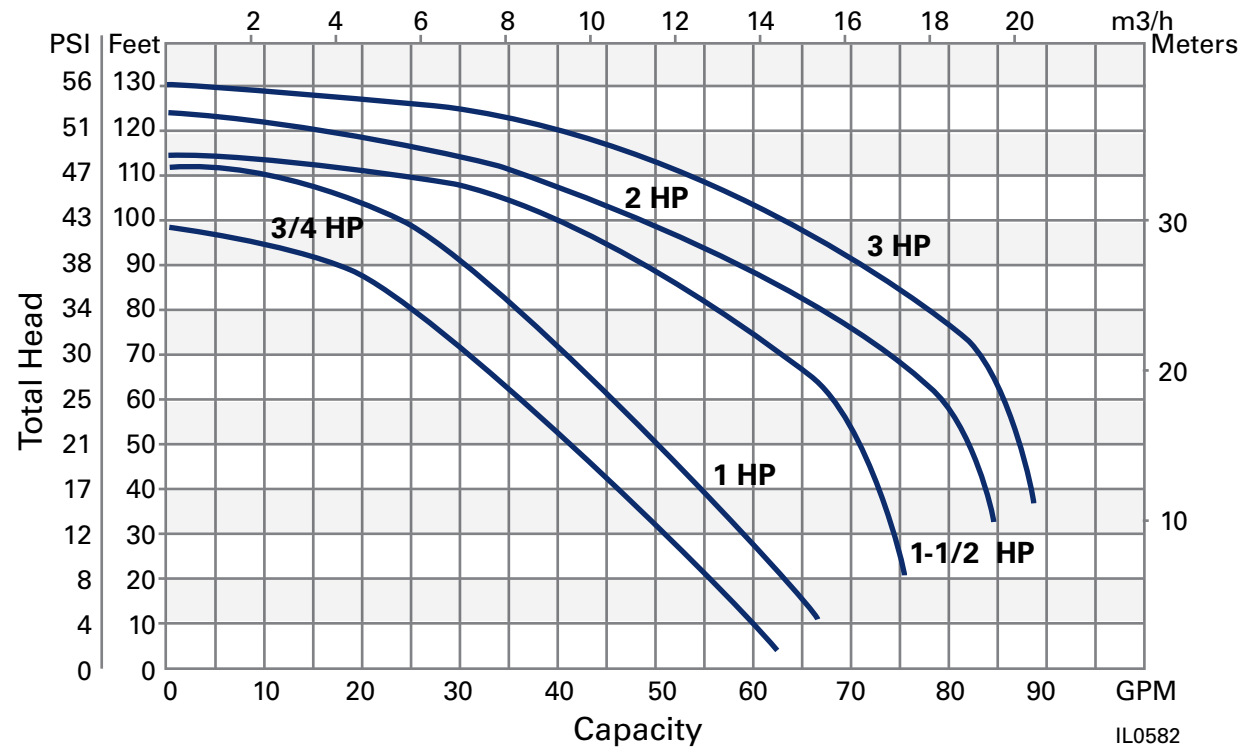
SPJ SELF-PRIMING 3/4 - 3 HP SINGLE OR THREE PHASE

SPECIFICATIONS

HP	Type	Volts	Hz	RPM	Motor Voltage (Factory) Connected	Service Factor Motor Amps				Max Liquid Temp	Max Suction Lift
						Single Phase		Three Phase			
						115V	230V	230V	460V		
3/4	Single Ph	115/230	60	3450	115V	14.0	7.0			180°F	25 Ft.
1					230V	18.0	9.0				
1-1/2						21.0	10.5	-	-		
2						25.0	12.5				
3						-	13.5				
3/4	Three Ph	208-230/460	60/50	3450/2850	230V			3.5	1.75	180°F	25 Ft.
1								4.5	2.25		
1-1/2								5.7	2.85		
2								7.4	3.70		
3								9.8	4.90		

Suction lift varies, depending upon elevation (altitude) and water temperatures.

PERFORMANCE CURVES / SPECIFICATIONS



* 3/4 - 1-1/2 HP Impeller - Noryl
 1-1/2 - 3 HP Impeller - Brass



SERVICE

- Selecting the Right Application
- Pump Sizing & Specifications
- Installation Tips
- Pump Troubleshooting

Contact F&W Product Support

800-742-5044

tech@FlintandWalling.com

7:30am - 5:00pm Mon - Fri

Over 90% of phone calls to Product Support are answered by a live person within three rings!

TRAINING

- Factory Tours & Training
- CEU Accreditation
- Local Branch Training
- Web Conferences

Contact Dan Painter
F&W Product Training &
Development Manager

260-615-9795

dpainter@FlintandWalling.com

Dan has over 37 years of experience in the water systems industry

Flint & Walling, a family-owned American manufacturer of premium pumps, motors and controls. Built on proven, comprehensive testing and generations of deep personal relationships with loyal customers and employees. A legacy of high-quality, American-made products where trust flows through everything we do.

