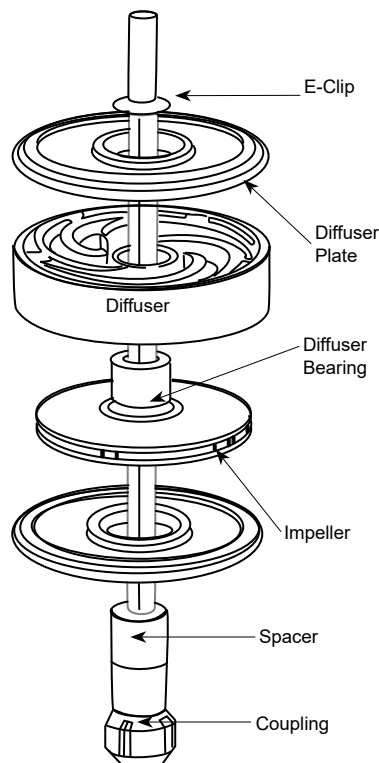


<b>CARTRIDGE ASSEMBLY COMPONENTS (Oct. '06 &amp; Earlier)</b> <b>(For Pricing Refer To Repair Parts Price List)</b>							
<b>5 - 7 - 10 - 19 &amp; 27 GPM SERIES</b>							
GPM		5	7	10	19	27	
NUMBER OF STAGES	1/3, 1/2R HP	11	7	6	—	—	
	1/2 HP	15	10	8	5	—	
	3/4 HP	21	14	12	7	6	
	1 HP	26	18	15	9	7	
	1-1/2 HP	35	24	20	12	10	
	2 HP	—	30	26	16	12	
	3 HP	—	—	34	22	17	
5 HP	—	—	—	32	29		
DESCRIPTION	HP	QTY.	PART NUMBER				
Spacer		1	N/A	N/A	N/A	N/A	N/A
Impeller		*	130861	133728	130855	131330	133423
Diffuser		*	130865	130865	130859	131333	133424
Diffuser Bearing		*	130854	130854	130854	130854	130854
Diffuser Plate		†	130858	130858	130858	131342	131342
E-Clip		1	139439	139439	139439	139439	139439
Shaft & Coupling Assembly	1/3, 1/2R		N/A	N/A	N/A	N/A	N/A
	1/2		N/A	N/A	N/A	N/A	N/A
	3/4		N/A	N/A	N/A	131415	133047
	1	1	N/A	133751	N/A	N/A	N/A
	1-1/2		N/A	N/A	130895	131419	N/A
	2		N/A	N/A	N/A	N/A	N/A
3		N/A	N/A	N/A	N/A	N/A	
5		N/A	N/A	N/A	N/A	N/A	
(*) For quantity required - See number of stages (†) Qty. - One plus number of stages							



CARTRIDGE ASSEMBLY COMPONENTS (Nov '06 & Later)							
(For Pricing Refer To Repair Parts Price List)							
5 - 7 - 10 - 19 & 27 GPM SERIES							
GPM			5	7	10	19	27
NUMBER OF STAGES	1/2 HP		15	10	8	5	-
	3/4 HP		21	14	12	7	6
	1 HP		26	18	15	9	7
	1-1/2HP		35	24	20	12	10
	2 HP		-	30	26	16	12
	3 HP		-	-	34	22	17
	5 HP		-	-	-	32	29
DESCRIPTION	HP	QTY	PART NUMBER				
Spacer		1	138724	138724	138724	138724	138764
Impeller		*	130861	133728	130855	131330	133423
Diffuser		*	130865	130865	130859	131333	133424
Diffuser Bearing		*	130854	130854	130854	130854	130854
Diffuser Plate		**	130858	130858	130858	131342	131342
E-Clip		1	139439	139439	139439	139439	139439
Shaft & Coupling Assembly	1/2		022207	020764	020762	020570	-
	3/4		022211	022208	020770	020761	020757
	1		020789	020778	020777	020767	020762
	1-1/2	1	020797	020787	020786	020803	022048
	2		-	020794	020793	020781	020775
	3		-	-	020799	020790	020785
5		-	-	-	020800	020798	

(\*) For quantity required - See number of stages

(\*\*) Qty. - One plus number of stages

