

High Capacity Centrifugal & Sprinkler Pumps



FOR HOME, FARM AND INDUSTRY

- Stainless steel or cast iron construction
- Stainless steel impellers
- Discharge rotates in 90° increments on some models
- Maximum temperatures to 200° F



C3, C4, C5,
C6 SERIES

Heavy Duty Straight Centrifugal Pumps



High Head Straight Centrifugal Pumps

Stainless Steel Straight Centrifugal Pumps

Straight Centrifugal Pumps

Sprinkler Booster Pumps

Single or three phase

Pressures to 150 PSI



Electric Motors



"C3" Series Straight Centrifugal Pumps



- Investment cast 316 stainless steel
- Viton® mechanical seal and o-ring
- Discharge port rotates in 90° increments
- Max. working pressure 75 PSI
- Max. temperature 200° F
- Max. flow 90 GPM
- Max. head 65 ft. (28 PSI)
- Self-cleaning, semi-open stainless steel impellers with solids handling capacity of less than 1/8".
- Totally enclosed fan cooled (TEFC) 56J motors
- 1/2 HP to 2 HP single and three phase, 3450 RPM motors

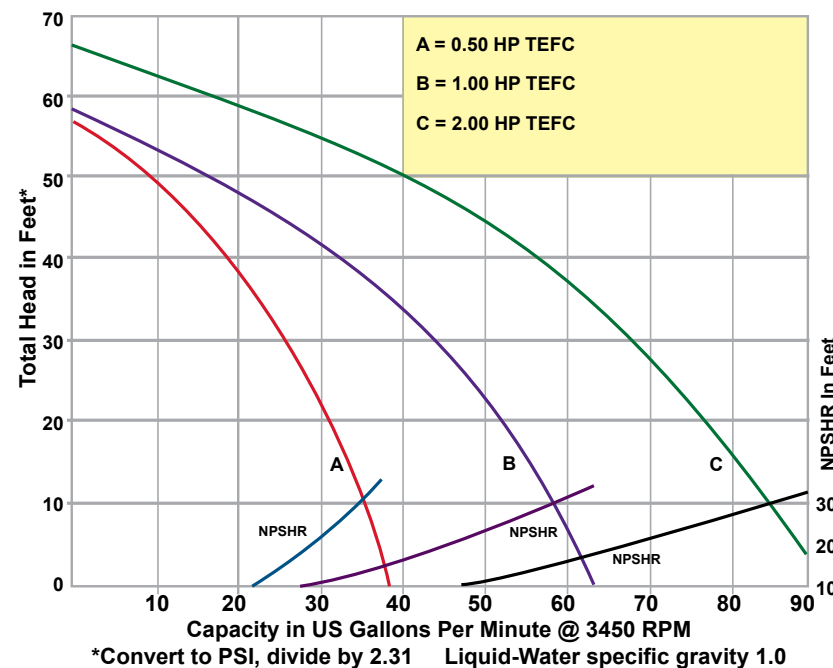


F&W straight centrifugal pumps are designed for continuous-duty low pressure OEM, industrial/commercial and general service applications including circulation, liquid transfer and cooling. Applications include, but are not limited to dry cleaning, transferring deionized water, candle manufacturing and parts washers.

These durable and compact pumps are available in a variety of construction and seal materials to meet your specification. The line also features a wide selection of single and three phase TEFC motors, up to 2 horsepower.

All models feature Type 6 mechanical seals and O-rings. Pull-from-the-rear design for easy service without disturbing any piping. Self-cleaning impellers to prevent clogging and minimize maintenance.

PERFORMANCE



"C3" Series Straight Centrifugal Pumps

PUMP DIMENSIONAL & SPECIFICATION CHART

Model	HP	PH	Encl	Voltage @ 60 Hz ±10%	Full Load Amp	SUC*	DIS*	AB**	CP	L	X	Y	Z	ZZ	Ship Wt. Lbs.
C31S051T	1/2	1	TEFC	115/230	9/5	3/4"	1/2"	2.4	13.3	6.3	1.9	1.4	1.9	2.9	33
C31S053T	1/2	3	TEFC	230/460	3/2	3/4"	1/2"	2.4	13.1	6.3	1.9	1.4	1.9	2.9	31
C32S101T	1	1	TEFC	115/230	12/6	1"	3/4"	3.0	15.1	6.3	2.4	1.3	2.1	3.3	39
C32S103T	1	3	TEFC	230/460	4/2	1"	3/4"	3.0	14.2	6.3	2.4	1.3	2.1	3.3	36
C33S201T	2	1	TEFC	115/230	22/11	1-1/4"	1"	3.0	15.4	6.3	2.5	1.3	2.0	3.4	52
C33S203T	2	3	TEFC	230/460	6/3	1-1/4"	1"	3.0	14.3	6.3	2.5	1.3	2.0	3.4	50

(*) Standard NPT (female) pipe thread.

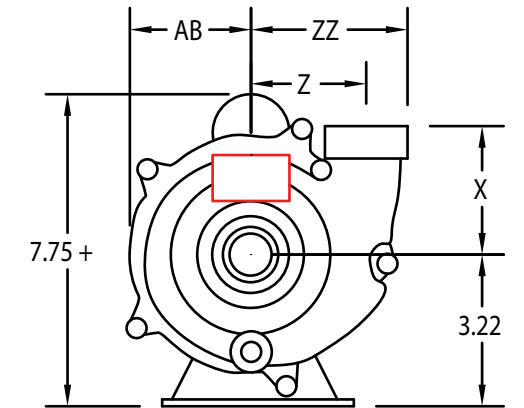
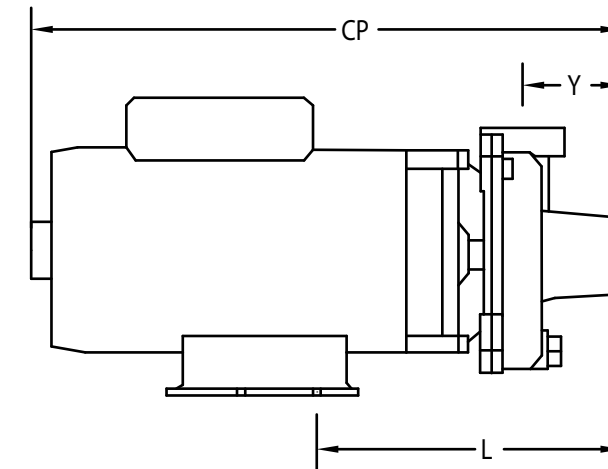
(**) This dimension may vary due to motor manufacturer's specifications

(+) 3-Phase motors can also operate on 50 Hz. (This will change the Full Load Amps, Service Factor and RPM)

NOTE: Dimensions have a tolerance of ± 1/8"

NOTE: Electric supply for ALL motors must be within ± 10% of nameplate voltage rating (ex. 230V ± 10% = 207 to 253)

All 316 Stainless Steel Construction with Viton® Seals, Max. Temperature 200° F



IL1423

STANDARD FEATURES

- 316 Investment cast stainless steel construction
- Viton® mechanical seal
- Stainless steel hardware
- NEMA 56J TEFC single and three phase motors
- Stainless steel motor shaft
- NEMA base mounted motors
- Self-cleaning stainless steel impeller
- Discharge rotates in 90° Increments
- Max. working pressure to 75 PSI
- Max. temperature 200° F Viton®
- Front drain plug



"C5" Series Heavy Duty Straight Centrifugal Pumps



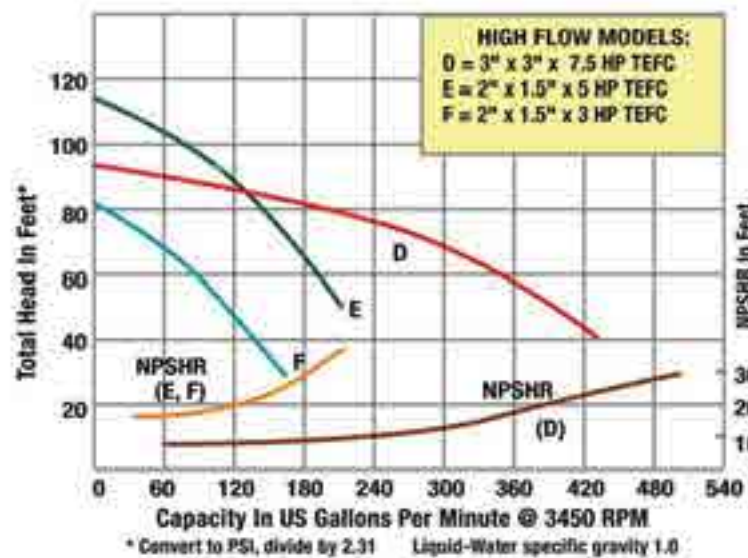
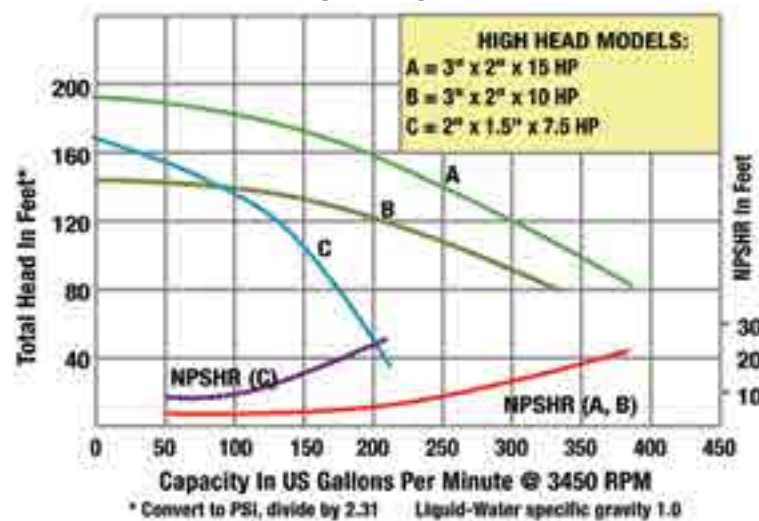
F&W Heavy Duty Straight Centrifugal pumps are suited for liquid transfer, heating and cooling, recirculation, booster service and other industrial applications. Applications include, but are not limited to cooling towers and car washes.

Stainless Steel units are especially effective in applications where rust and/or corrosion can develop in systems. Semi-open impeller features self-cleaning ability that makes the unit useful in applications involving muddy or dirty liquids as well as clean, clear fluids.

Discharge position can be adjusted in 90° increments with vent and drain plugs for all positions. Type 21 mechanical seal and O-ring casing seal. Pumps are close-coupled to totally enclosed fan cooled (TEFC) motors. Pumps are not self-priming and require flooded suction.

- Investment cast 316 stainless steel construction with Viton seals or cast iron construction with Buna seals
- Stainless steel impellers with solids handling capacity of 1/8 - 3/16"
- 3 HP to 15 HP NEMA JM motors, three phase TEFC
- High flow and high head designs
- Max. temperature
SS - Viton®: 200° F
CI - Buna N: 180° F
- Front drain plugs located 90° apart
- Max head 194 Ft. (100 PSI)
- Max flow 425 GPM
- Max working pressure 150 PSI

PERFORMANCE



"C5" Series Heavy Duty Straight Centrifugal Pumps

PUMP DIMENSIONAL & SPECIFICATION CHART

Model No. CI	Model No. SS	Curve	HP	PH	Frame	Encl	Voltage @ 60 Hz ±10%	Full Load Amps	S.F. Amp	Connect Type	Suct*	Disch*	AB**	CP**	D	E	F	H1	H2	L	LP	MP	O	X	Y	Z	ZZ	Ship Wt (Lbs.)	
															22/11	25/12.5	22/11	25/12.5	26/13	30/15	47/24	54/27	2"	1-1/2"	3"	2"	3"	2"	8.3
C55A303T	C55S303T	F	3		182JM			8/4	9/4.5		2"	1-1/2"	7.5	21.6	4.5	3.8	4.5	0.4	0.4	12.7	4.1	4.0	9.3	4.8	2.5	4.0		98	83
C55A503T	C55S503T	E	5		184JM			17/9	20/10		2"	1-1/2"	7.5	21.6	4.5	3.8	5.5	0.4	0.4	11.8	4.1	4.0	9.3	4.8	2.5	4.0		108	100
C57A753T	C57S753T	D	7.5	3	184JM	TEFC	230/460	22/11	25/12.5	NPT	3"	3"	7.5	22.4	4.5	3.8	5.5	0.4	0.4	12.5	4.1	4.8	9.3	6.5	2.8	4.5	N/A	122	117
C55A753T	C55S753T	C	7.5		184JM			22/11	25/12.5		2"	1-1/2"	7.5	21.4	4.5	3.8	5.5	0.4	0.4	11.5	3.5	4.4	9.3	5.9	2.4	3.8		105	108
C56A1003T	C56S1003T	B	10		215JM			26/13	30/15		3"	2"	8.3	26.0	5.3	4.3	7.0	0.4	0.4	11.7	3.5	4.5	10.9	5.0	2.8	4.8		173	176
C56A1503T	C56S1503T	A	15		215JM			47/24	54/27		3"	2"	8.3	26.0	5.3	4.3	7.0	0.4	0.4	12.5	3.5	4.5	10.9	5.0	2.8	4.8		190	195

(*) Standard NPT (female) pipe thread.

(**) This dimension may vary due to motor manufacturer's specifications

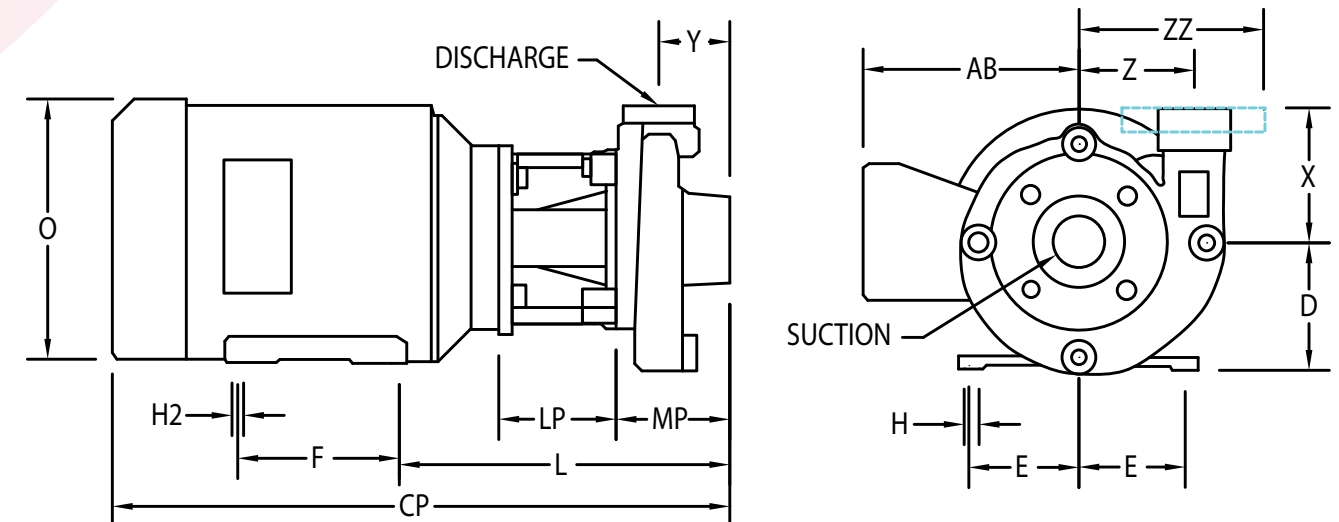
(+) 3-Phase motors can also operate on 50 Hz. (This will change the Full Load Amps, Service Factor and RPM)

NOTE: Dimensions have a tolerance of ± 1/8"

NOTE: Electric supply for ALL motors must be within ± 10% of nameplate voltage rating (ex. 230V ± 10% = 207 to 253)

CI = Cast Iron Construction with SS Impeller and Buna N Seals, Max. Temperature 180° F

SS = All 316 Stainless Steel Construction with Viton® Seals, Max. Temperature 200° F



IL1422

STANDARD FEATURES

- Stainless steel and cast iron construction
- Buna N or Viton® mechanical seal and o-rings depending on model
- Stainless steel hardware
- NEMA TEFC three phase motors
- Self-cleaning stainless steel impeller
- Discharge rotates in 90° Increments
- Max. working pressure to 150 PSI
- Max. temperature:
SS - 200° F Viton®
CI - 180° F Buna N



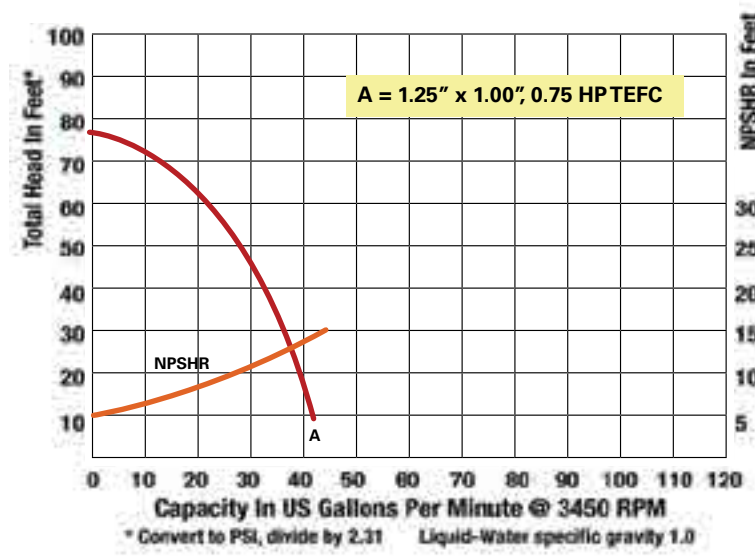
"C4" Series High Head Straight Centrifugal Pumps



- Investment cast 316 stainless steel construction with Viton seals or cast iron construction with Buna seals
- Discharge port rotates in 90° Increments
- Four front drain plugs
- Max. working pressure 150 PSI
- Max. temperature 200° F
- Max. flow 42 GPM
- Max. head 76 Ft. (33 PSI)
- High efficiency stainless steel closed impeller
- Totally enclosed fan cooled (TEFC) 56J motors
- 3/4 HP single and three phase 3450 RPM motors

PERFORMANCE

Performance of Straight Centrifugal Pumps



F&W High Head Straight Centrifugal pumps are designed for continuous-duty OEM, Industrial/Commercial and processing applications including circulation, liquid transfer, heating and cooling and pressure boosting. Applications include, but are not limited to cooling towers and chemical transfer.

These heavy duty high pressure pumps are available in a variety of construction and seal materials to meet your specification.

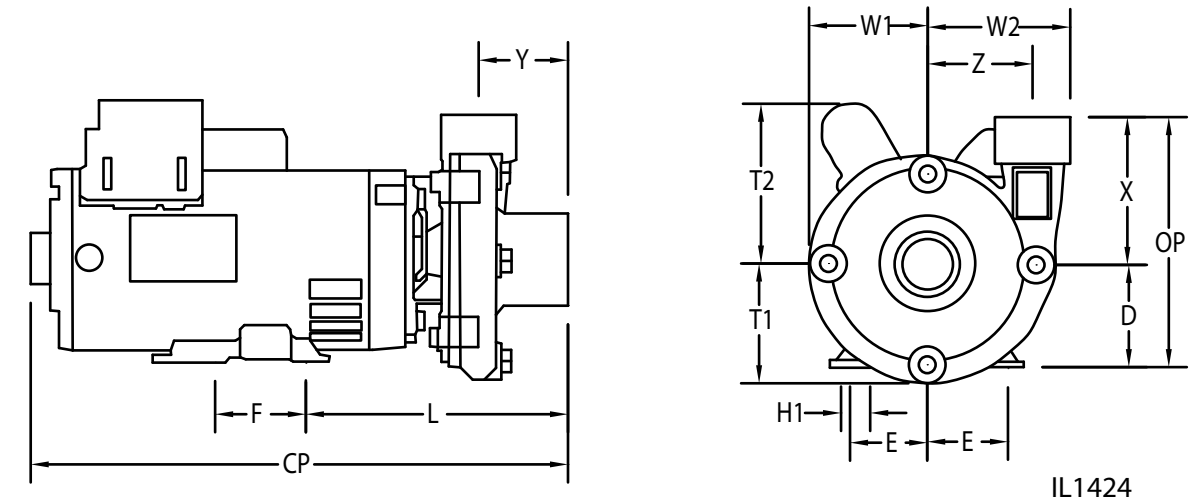
All models feature Type 21 mechanical seals and O-rings. Pull-from-the-rear design for easy servicing without disturbing any piping. High efficiency investment cast stainless steel impellers maximize performance.

"C4" Series High Head Straight Centrifugal Pumps

PUMP DIMENSIONAL & SPECIFICATION CHART

CI No.	SS No.	HP	PH	Encl.	Voltage @ 60 Hz ±10%	Full Load Amps	SUC*	DIS*	CP**	D	E	F	H1	H2	L	OP	T1	T2	W1	W2	X	Y	Z	Ship Wt. Lbs.
C43A071T	C43S071T	3/4	1	TEFC	115/230	9/5	1-1/4"	1"	16.3	3.5	2.44	3.00	0.88	0.3	7.3	8.2	3.7	4.7	3.5	4.4	4.7	2.1	3.35	46
C43A073T	C43S073T	3/4	3	TEFC	230/460	3/2	1-1/4"	1"	14.2	3.5	2.44	3.00	0.88	0.3	7.3	8.2	3.7	4.7	3.5	4.4	4.7	2.1	3.35	44

(*) Standard NPT (female) pipe thread.
 (**) This dimension may vary due to motor manufacturer's specifications
 (+) 3-Phase motors can also operate on 50 Hz. (This will change the Full Load Amps, Service Factor and RPM)
 NOTE: Dimensions have a tolerance of ± 1/8"
 NOTE: Electric supply for ALL motors must be within ± 10% of nameplate voltage rating (ex. 230V ± 10% = 207 to 253)
 CI = Cast Iron Construction with SS Impeller and Buna N Seals, Max. Temperature 180° F
 SS = All 316 Stainless Steel Construction with Viton® Seals, Max. Temperature 200° F



STANDARD FEATURES

- 316 investment cast stainless steel with Viton seal
- Cast iron construction with Buna seals
- Stainless steel hardware
- NEMA 56J TEFC single and three phase 3450 RPM motors
- Stainless steel motor shaft
- NEMA base mounted motors
- High efficiency stainless steel closed impeller
- Discharge rotates in 90° increments
- Max. working pressure to 150 PSI
- Max. temperature:
 SS - (Viton®) 200° F
 CI - (Buna N) 180° F



"C6" Series Stainless Steel Straight Centrifugal Pumps



- 304 stainless steel construction
- Viton® mechanical seal and o-ring
- Investment cast stainless steel impeller
- High head and high volume models
- Max. working pressure 150 PSI
- Max. temperature 200° F
- Max. flow 156 GPM
- Max. head 82 Ft. (35 PSI)
- Chemical resistant design
- Discharge port rotates in 90° increments
- 56J frame totally enclosed fan cooled (TEFC) motors

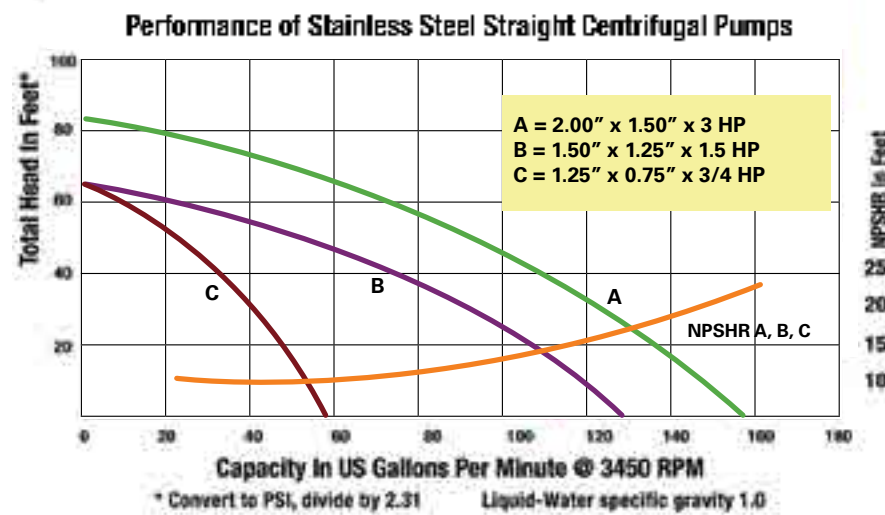


PERFORMANCE

Flint & Walling Stainless Steel Straight Centrifugal pumps are designed for continuous duty high flow and high pressure applications including liquid transfer, cooling, pressure boosting, circulating and applications requiring contaminant free pumping.

Constructed of rugged deep drawn 304 stainless steel for durability and corrosion resistance. Investment cast stainless steel closed impellers for enhanced performance and high efficiencies.

All models include Viton® Type 21 mechanical seals and O-rings which offer a broad range of chemical compatibility and can be used for highly corrosive liquids. Cast iron motor adapter provides a positive and rigid mounting to motor.



"C6" Series Stainless Steel Straight Centrifugal Pumps

PUMP DIMENSIONAL & SPECIFICATION CHART

High Volume Models Dimensional & Specification Chart

Model No.	Curve	HP	PH	Encl	Voltage @ 60 Hz ±10%	Full Load Amp	SUC*	DIS*	CP**	AB**	L	OP	T	T1**	X	Y	Z	Ship Wt. Lbs.
C63071T	C	3/4	1	TEFC	115/230	9/5	1-1/4	3/4	14.0	4.9	6.5	7.9	3.4	N/A	4.4	2.2	4.1	38
C63073T	C	3/4	3	TEFC	230/460	3/2	1-1/4	3/4	13.4	4.9	6.5	7.9	3.4	N/A	4.4	2.2	4.1	31
C64151T	B	1.5	1	TEFC	115/230	18/9	1-1/2	1-1/4	14.8	4.6	6.1	7.9	3.4	N/A	4.4	1.8	4.0	50
C64153T	B	1.5	3	TEFC	230/460	5/3	1-1/2	1-1/4	14.0	4.9	6.1	7.9	3.4	N/A	4.4	1.8	4.0	39
C65301T	A	3	1	TEFC	230	16	2	1-1/2	16.2	4.9	6.2	7.9	3.4	N/A	4.4	1.9	4.0	57
C65303T	A	3	3	TEFC	230/460	8/4	2	1-1/2	15.7	4.9	6.2	7.9	3.4	N/A	4.4	1.9	4.0	54

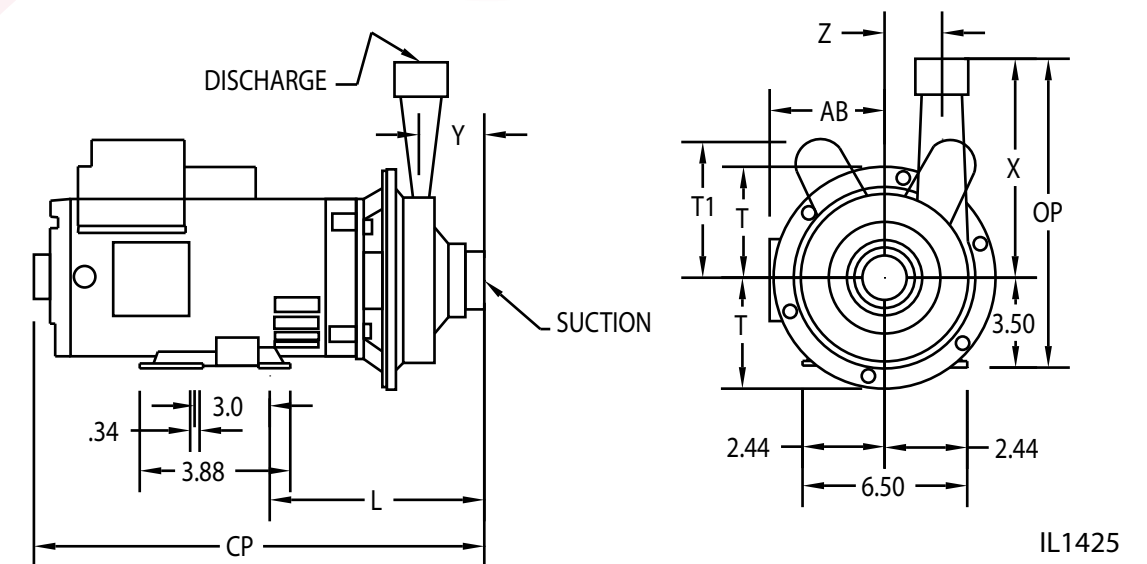
(*) Standard NPT (female) pipe thread.

(**) This dimension may vary due to motor manufacturer's specifications.

(+) 3-Phase motors can also operate on 50 Hz. (This will change Full Load Amps, Service Factor and RPM)

NOTE: Dimensions have a tolerance of ± 1/8"

NOTE: Electric supply for ALL motors must be within ± 10% of nameplate voltage rating (ex. 230V ± 10% = 207 to 253)



STANDARD FEATURES

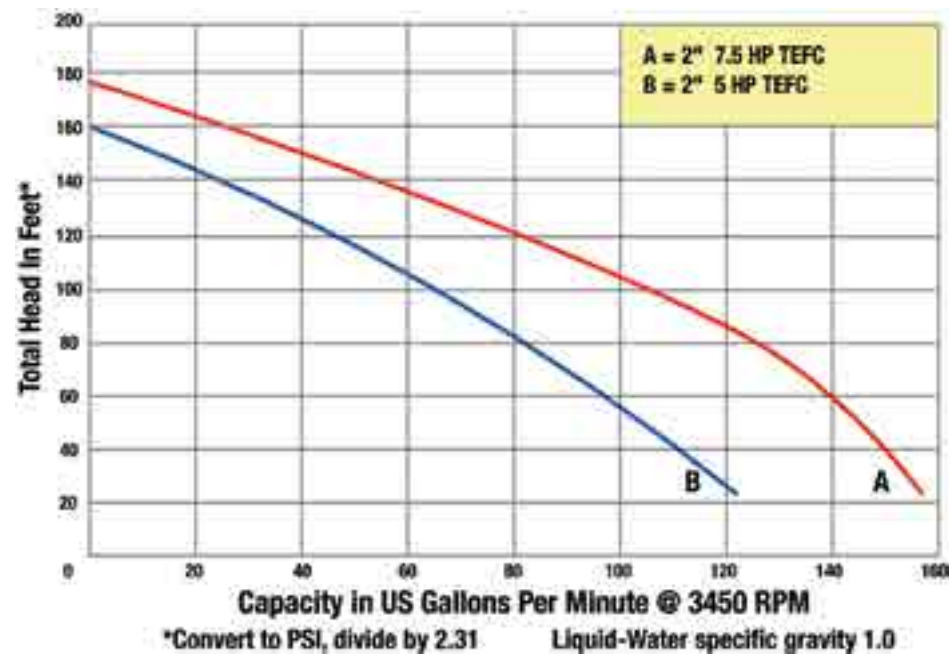
- 304 stainless steel construction
- Investment cast stainless steel impeller
- Viton® mechanical seal and o-ring
- Cast iron motor adapter provides rigid mounting
- NEMA 56J TEFC single & three phase motors
- Stainless steel hardware
- Stainless steel motor shaft
- Max. working pressure up to 150 PSI
- Max. temperature 200° F





- Cast iron construction with investment cast 316 stainless steel impeller
- Buna-N mechanical seal and o-ring
- 2" NPT port sizes
- Maximum working pressure 150 PSI
- Maximum temperature 180° F
- Maximum flow 157 GPM
- Maximum head 180 Ft.
- Self-priming to 20 Ft.
- Removable dual volute design
- 5 and 7-1/2 HP single or three phase TEFC motors

PERFORMANCE



F&W Sprinkler/Booster pumps feature Investment Cast 316 Stainless Steel closed impellers for high efficiency and resistance against erosion caused by abrasive particles. Applications include, but are not limited to amusement parks, golf courses, industrial, fountains and water parks.

All models self-prime to 20 ft. and feature dual volute design to reduce radial load on motor and a built-in check valve to insure fast priming after initial liquid is added to the pump. Cast iron construction provides durability and low maintenance. Easy cleanout design includes replaceable dual volute and casing o-ring for servicing. Type 21 mechanical seals handle maximum working pressure to 150 PSI.

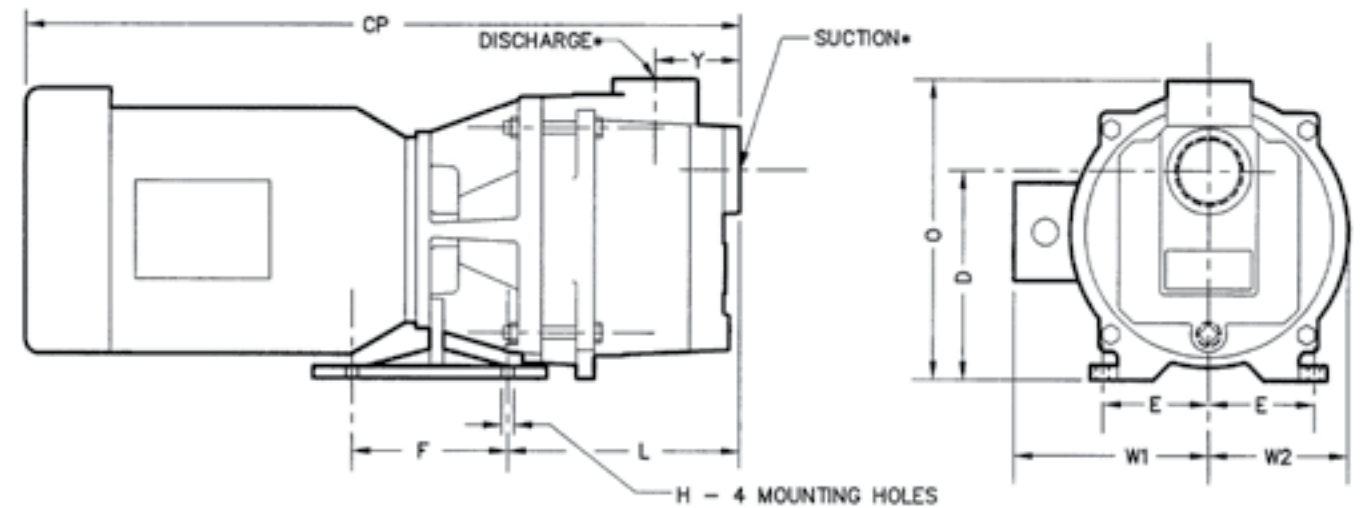
Pumps are available in 5 and 7-1/2 HP with Totally Enclosed Fan Cooled (TEFC) motors.



PUMP DIMENSIONAL & SPECIFICATION CHART

Model	Curve	HP	PH	ENC	Voltage @ 60 Hz	Full Load Amp	S.F. Amps	SUC*	DIS*	CP**	D	E	F	H	L	W1	W2	O	Y	Ship Wt. Lbs.
SPA50A1	B	5	1	TEFC	230	20	23	2	2	27.4	5.2	3.7	5.5	0.4	15.9	8.6	5.0	10	3.1	146
SPA50A3	B	5	3	TEFC	230/460	13/7	15/8	2	2	27.9	5.2	3.7	5.5	0.4	15.9	8.6	5.0	10	3.1	130
SPA75A3	A	7-1/2	3	TEFC	230/460	19/10	22/11	2	2	21.8	5.2	3.7	5.5	0.4	15.9	8.6	5.0	10	3.1	134

(* Standard NPT (female) pipe thread.
 (**) This dimension may vary due to motor manufacturer's specifications
 (+) 3-Phase motors can also operate on 50 Hz. (This will change the Full Load Amps, Service Factor and RPM)
 NOTE: Dimensions have a tolerance of ± 1/8"
 NOTE: Electric supply for ALL motor must be within ± 10% of nameplate voltage rating (ex. 230V ± 10% = 207 to 253)



STANDARD FEATURES

- Cast iron construction
- Cast 316 stainless steel impellers
- Buna-N mechanical seal and o-ring
- TEFC JM frame motors
- Removable dual volute design
- Self-priming to 20 ft.
- Maximum working pressure to 150 PSI
- Maximum temperature 180° F



