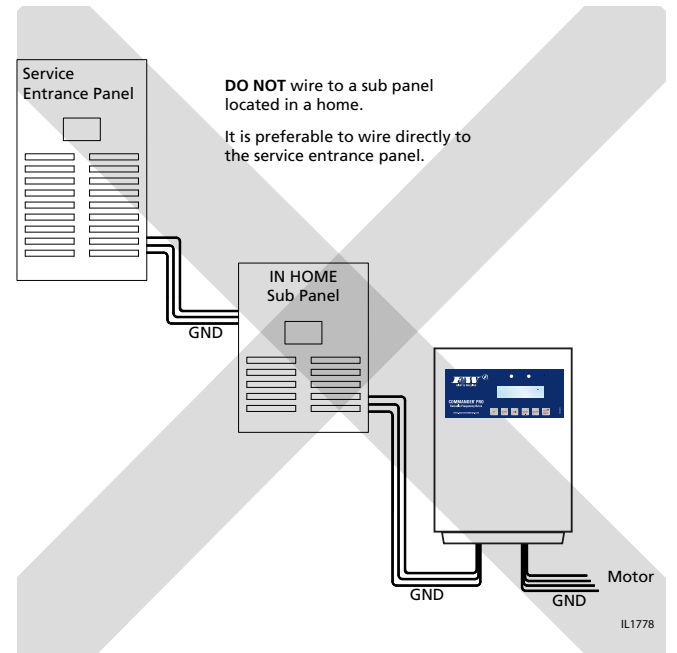
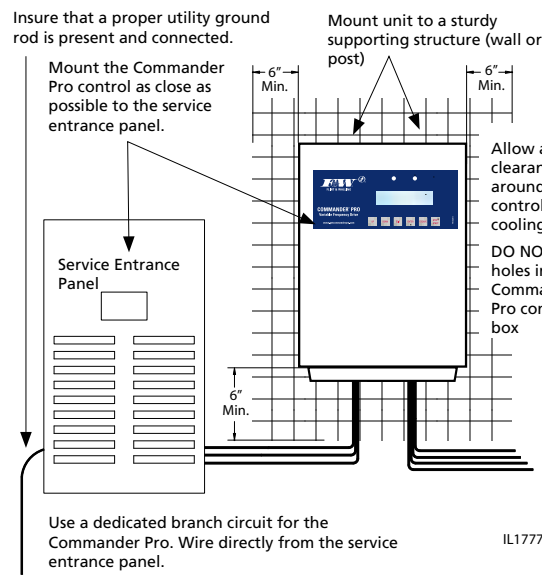


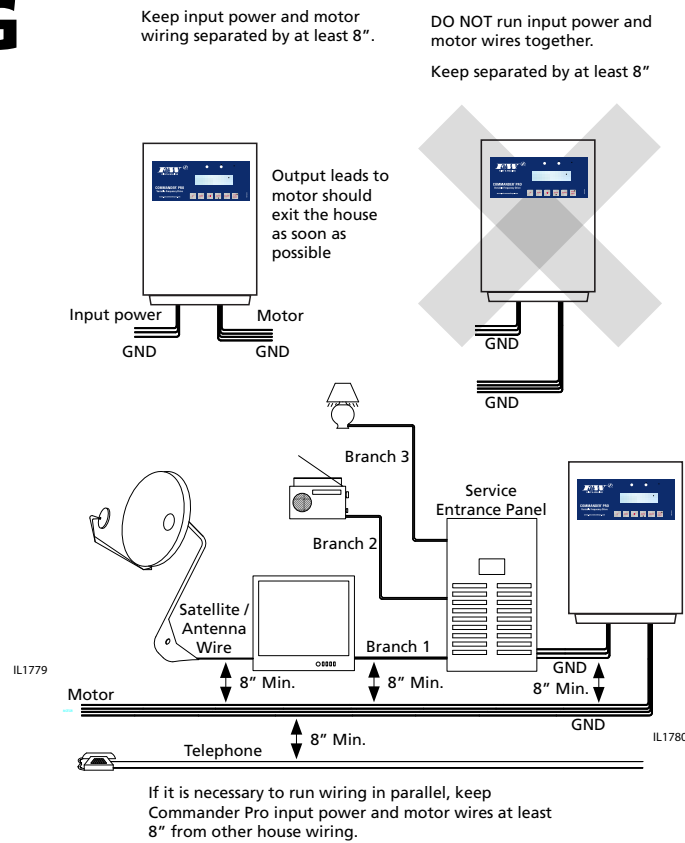
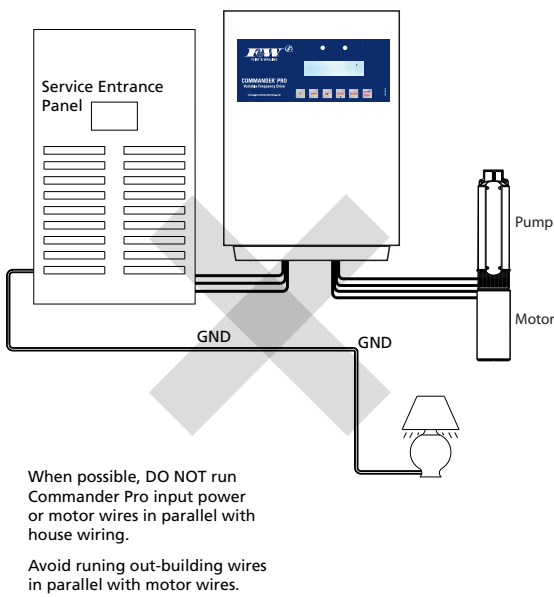
# Submersible Constant Pressure Installation Guide

## 1. LOCATION

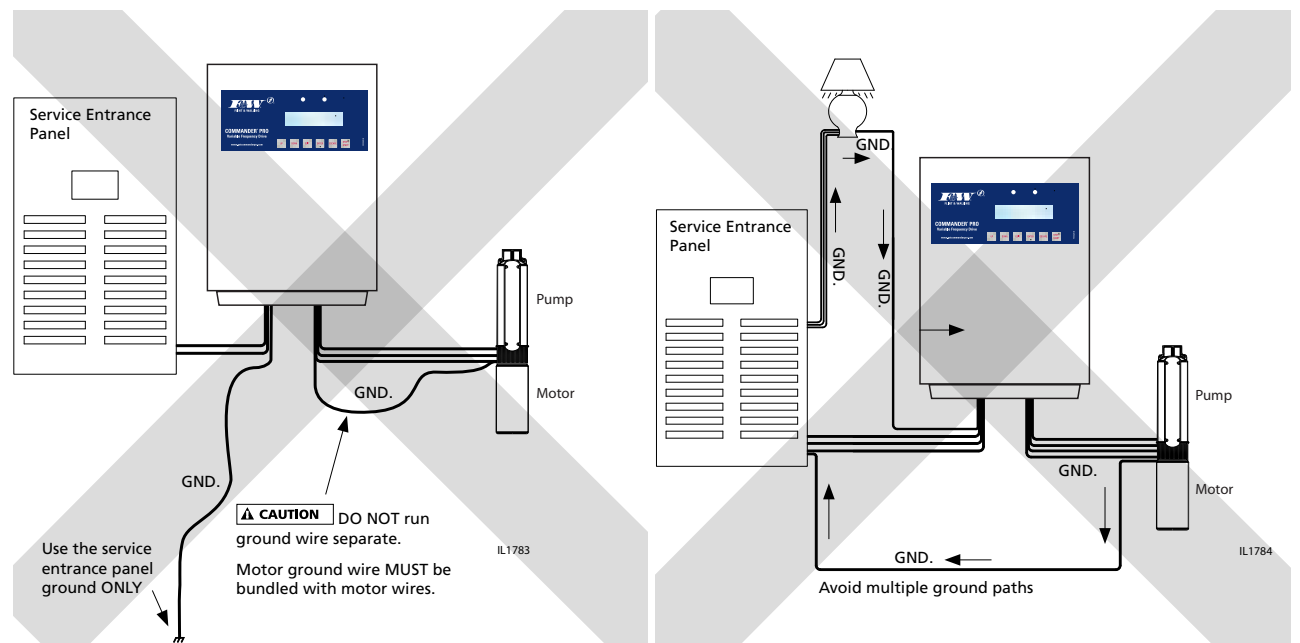
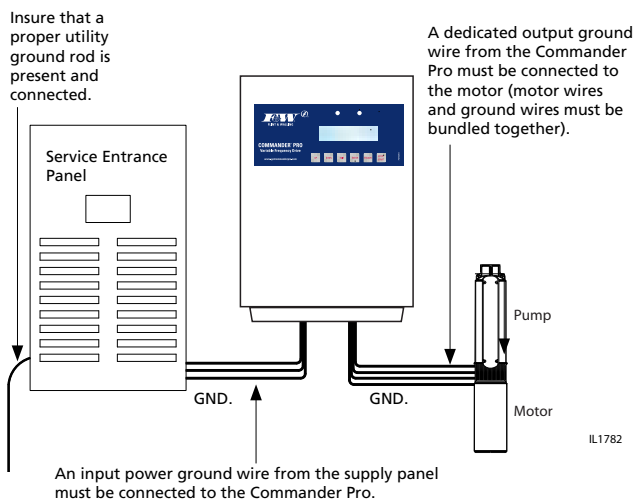
Rated NEMA 3R



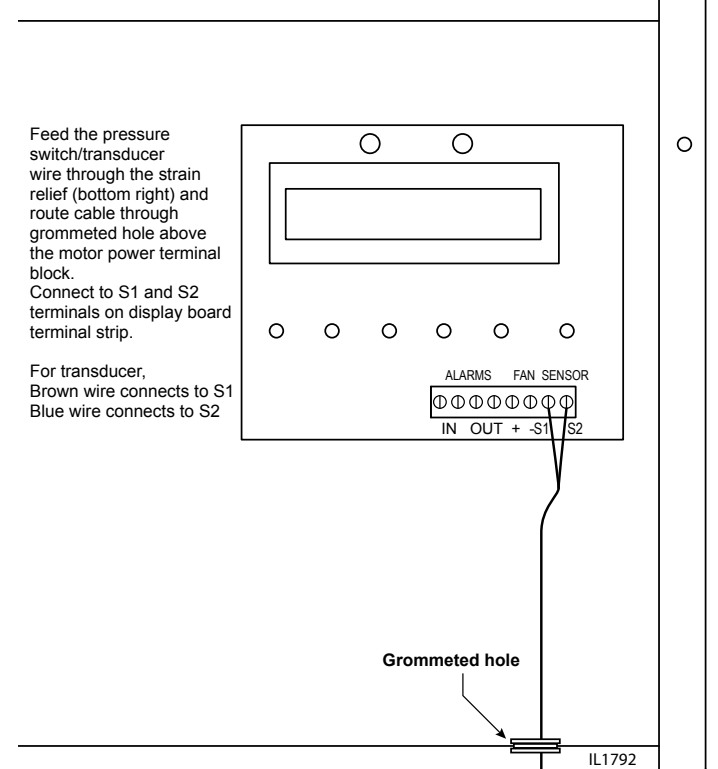
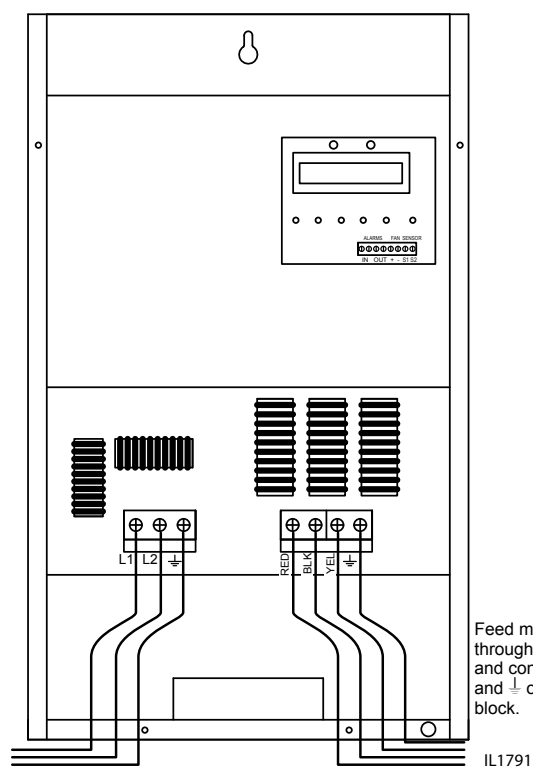
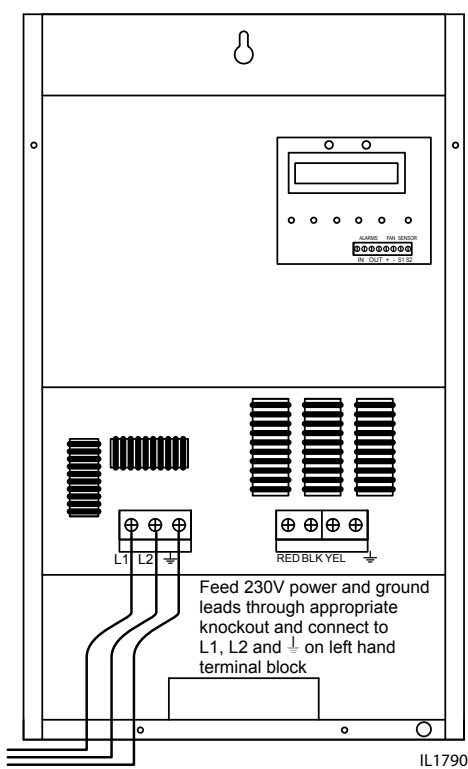
## 2. WIRE ROUTING



## 3. GROUNDING



# 4. WIRING



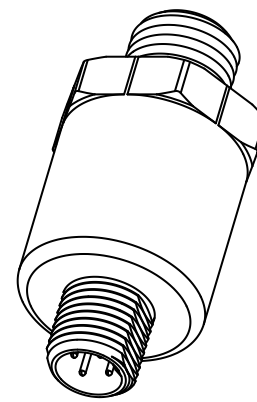
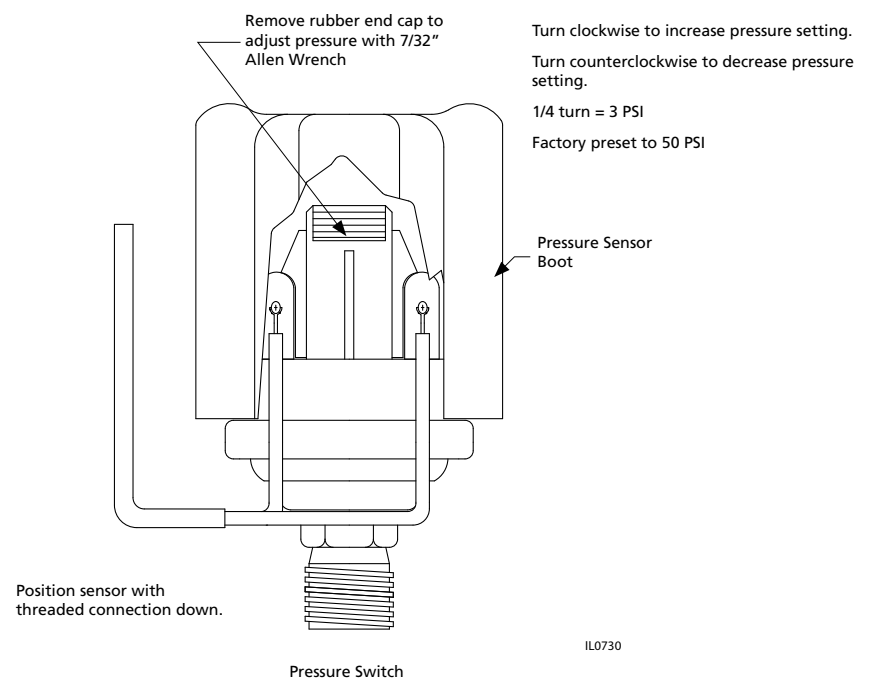
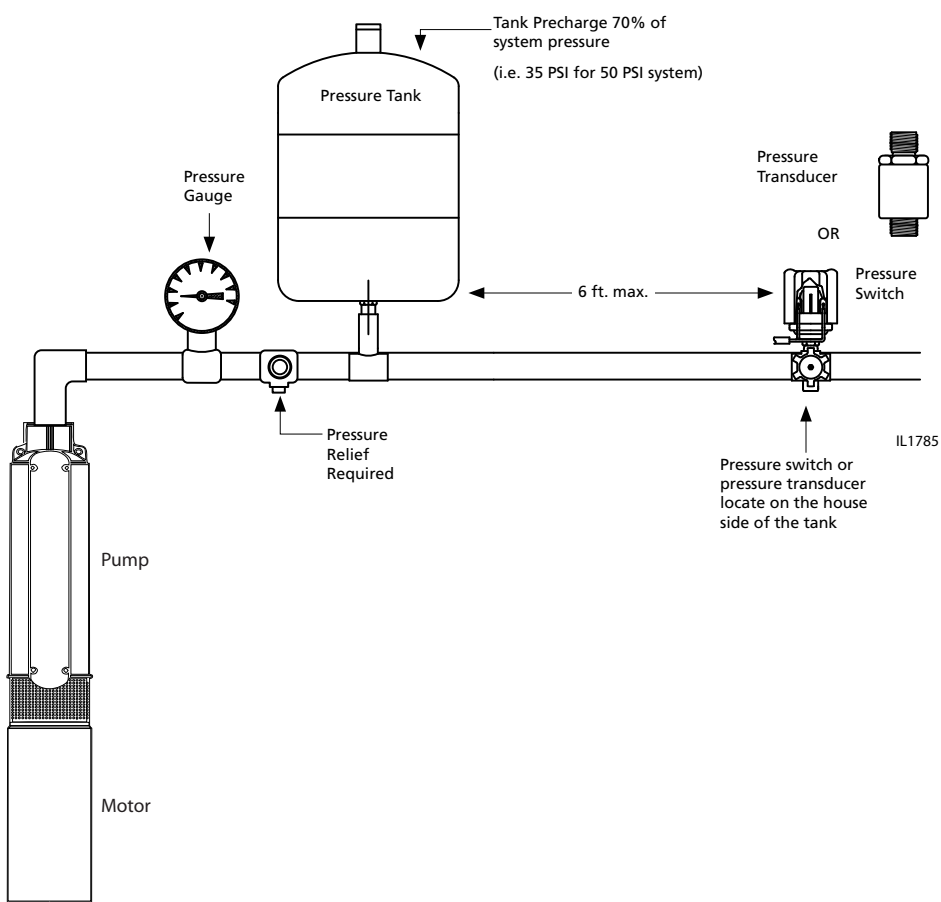
Attention: To meet full compliance with FCC Part 15 Subpart B and CENELEC EN 55011, shielded motor cable should be used between the drive motor output and the motor. Using shielded cable provides the maximum filtering to reduce radiated & conductive emissions which can cause interference with other devices.

# 5. PLUMBING

TABLE 2: MINIMUM PRESSURE TANK SIZE (TOTAL CAPACITY)

Controller	Pump Flow Rating less than 12 GPM	Pump Flow Rating 12 GPM or higher
VS15	4 Gallon (AT15)	4 Gallon (AT15)
VS20	4 Gallon (AT15)	8 Gallon (AT25)
VS30	8 Gallon (AT25)	8 Gallon (AT25)

The pressure tank pre-charge setting should be 70% of the system pressure sensor setting.



Pressure Transducer

IL1875

**Tech Support  
Toll Free Help Line  
1-800-742-5044**

**F&W**   
FLINT & WALLING  
**Trust runs deep™**