

CENTRIFUGAL PUMPS

FW0176
1020
Supersedes
1219

High Performance for Industrial Demands

- The C22000 Series is a rugged pump built for extra performance.
- Nationally known NEMA JM motors.
- Electronically balanced brass impellers.
- Capacities to 8,580 gallons per hour.
- Pressures to 85 PSI
- 3" Suction



C22000 SERIES

3 thru 7-1/2 HP

Single Phase or Three Phase

Two Stage

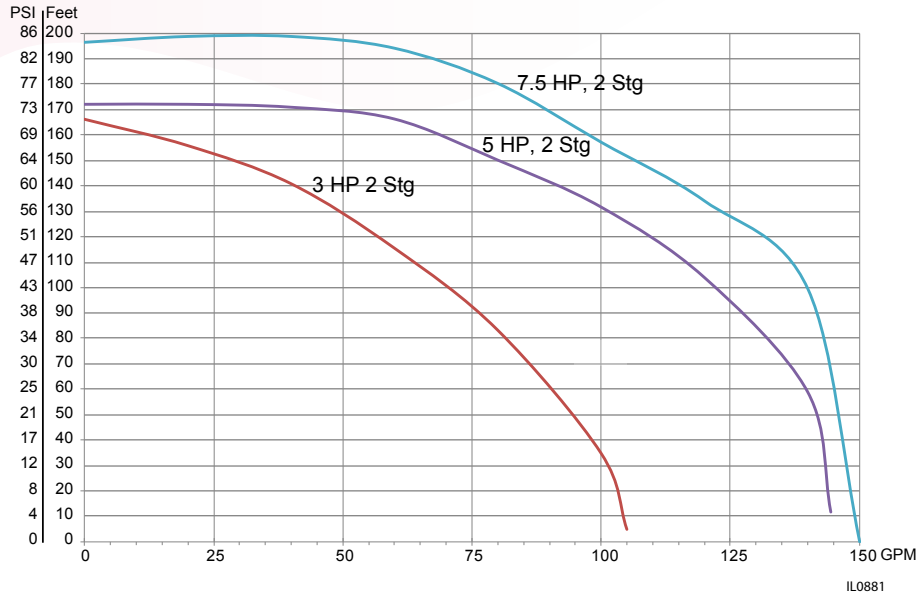


C22000 Series Centrifugal Pumps

PERFORMANCE

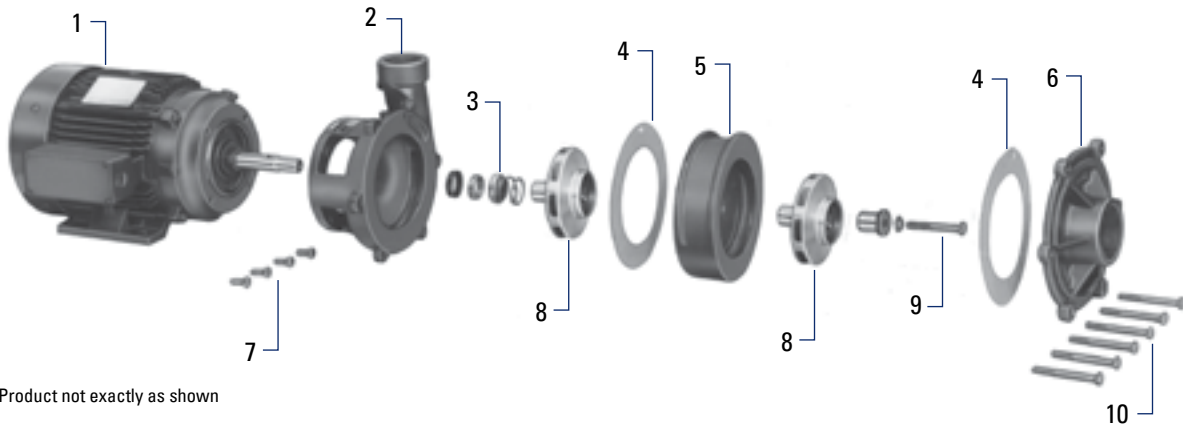
MODEL NUMBER		HP	STAGES	DISCHARGE PRESSURES (PSI)						MAX SUCTION LIFT (FT)	SUCT PIPE TAP (NPT)	DISCH PIPE TAP (NPT)	
1 PHASE	3 PHASE			20	30	40	50	60	70				80
				CAPACITY - U.S. GALLONS PER MINUTE (0 LIFT)									
C22231	C22233	3	2	95	86	75	60	40	12		20	3	2
C22251	C22253	5	2	143	137	124	111	91	65		20	3	2
--	C22273	7 1/2	2	145	140	138	135	121	95	75	20	3	2

MOTOR VOLTAGE: 3HP 1 Phase 208-230V 60 Hz, 5HP 1 Phase 208-230V 60Hz, 3, 5 & 7.5HP 3 Phase 208-230/460V 60Hz.
120 PSI Maximum Case Pressure



Ref No.	Description
1	Heavy-duty NEMA JM motor 3, 5, 7-1/2 HP
2	Heavy duty cast iron mounting ring
3	1-1/4" Rotary seal
4	Gasket
5	Heavy duty cast iron Intermediate stage

Ref No.	Description
6	Heavy duty cast iron body
7	Motor mounting bolts
8	Electronically balanced brass impellers
9	Brass impeller retainer and stainless steel lockscrew
10	Pump through bolts



Product not exactly as shown

